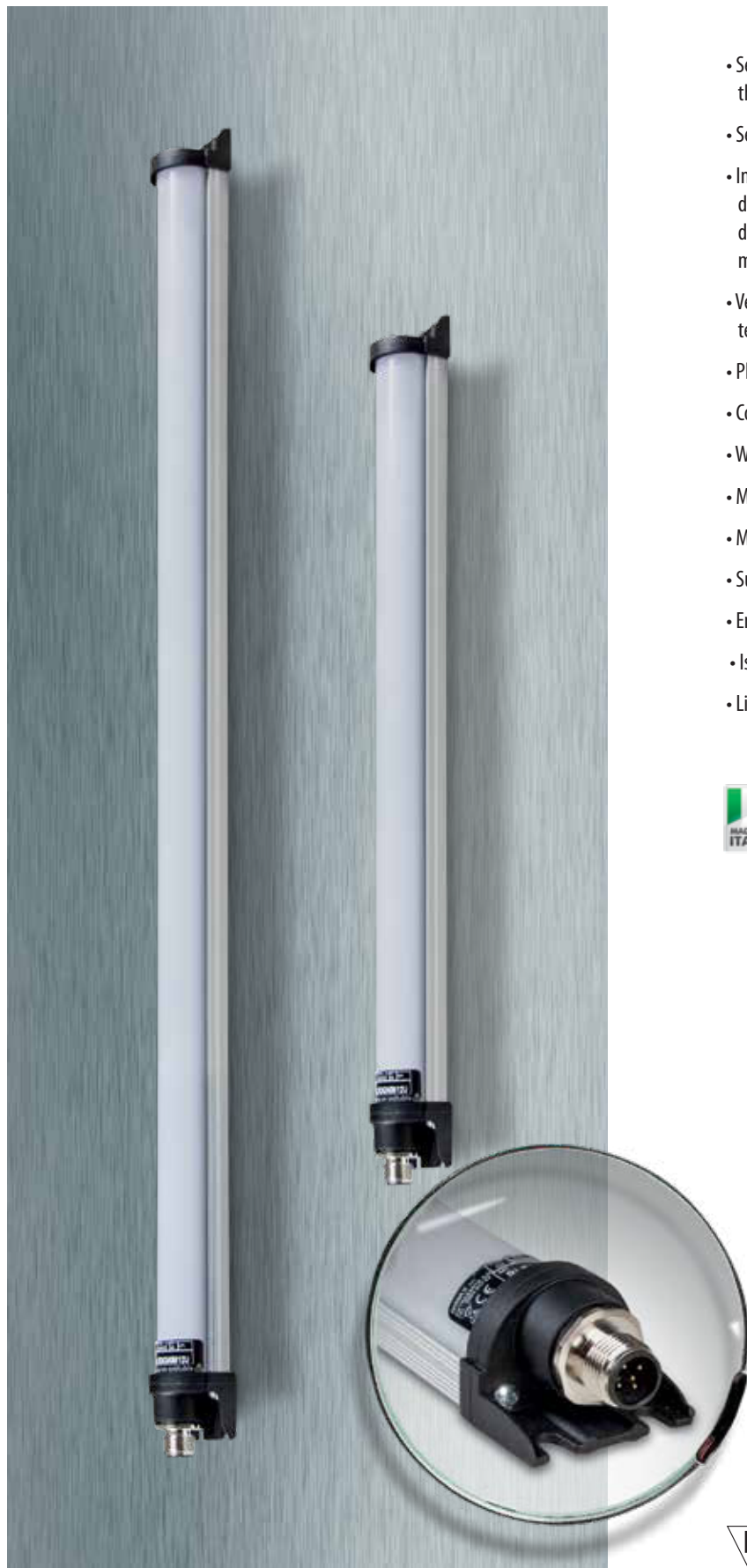


SIRIO BLR Series

Polycarbonate LED lamps with reduced section



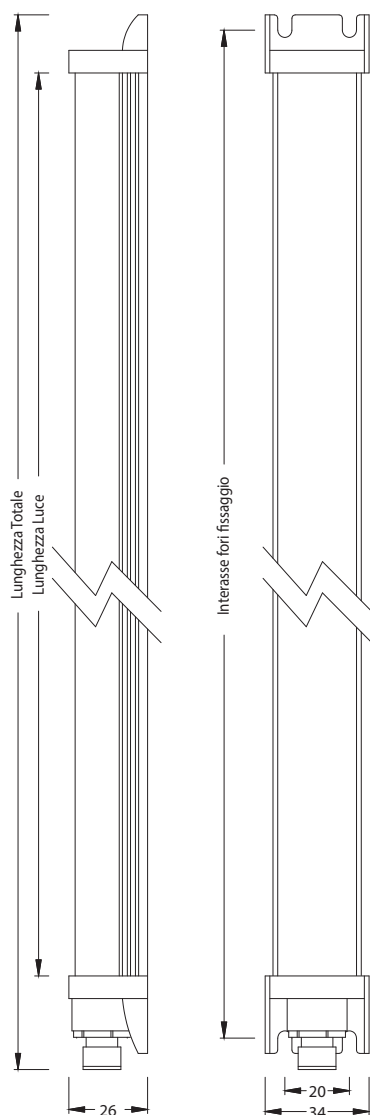
- Self-extinguishing opal polycarbonate outer tube V0 with thickness 1 ± 0.15 mm
- Sealing caps in PA6 30% loaded with glass spheres
- Integrated fasteners - Aluminium support sled with thermal dissipator function - Aluminum extrusion with a special matrix designed for maximum thermal dissipation of LED modules - CE marking
- Very high-efficiency LED modules (Lumileds) with color temperature 6500°K, average duration >50,000 hours
- Photobiological risk-free
- Color rendering CRI 80
- Working temperature $-20^{\circ}\text{C} \div +50^{\circ}\text{C}$
- Male connector M12 - A
- Maintenance-free
- Supply voltage 24Vdc
- Energy efficiency class A+++
- Isolation class: III
- Light beam angle: 120° with opal diffuser



 IP64 

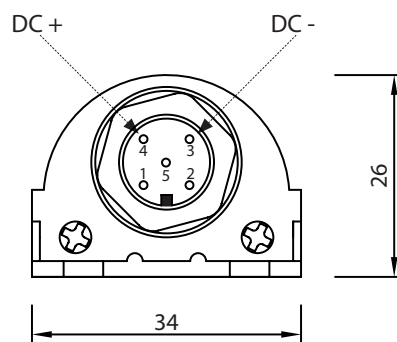
tube in POLYCARBONATE

Item	Pow. W	Volt. V	Luminous flux Lm (25°C)	Lamp length mm	Total length (with brackets)	Drilling distance
BLR07240M12U	7	24V DC	1050	275	325	310 x 20 mm
BLR12240M12U	12		1750	430	485	467 x 20 mm
BLR24240M12U	24		3500	825	875	860 x 20 mm
BLR36240M12U	36		5250	1215	1265	1251 x 20 mm



BLR external drivers

Power	Driver code	Max dimensions mm	M12 coupler code
7 - 12 - 24	LS.AL3024	125 x 38 x 23 (h)	PV6044TS/M12A
36	LS.ALT6024	230 x 32 x 22 (h)	



M12-A wiring diagram

Pin	Use
1	N.A.
2	N.A.
3	(-) Negative
4	(+) Positive
5	N.A.